



Quantum Scalar LTFs Appliance: Power Supply Replacement

The Scalar Linear Tape File System (LTFs) Appliance is powered by two redundant, “hot-swappable” power supplies located in the back of the unit. Once the failed power supply is identified, the power supply can be easily replaced and the Scalar LTFs Appliance returned to normal operation. Always replace faulty power supplies to ensure redundant operation.

To replace the power supply, refer to the following sections:

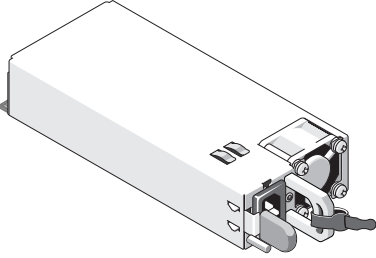
- [Preparing to Replace a Power Supply](#) on page 2
- [Removing a Failed Power Supply](#) on page 3
- [Replacing a Failed Power Supply](#) on page 3



Preparing to Replace a Power Supply

Before beginning the replacement procedure, make sure that you have the required replacement kit(s). Refer to the following table for the replacement kit contents (see [Table 1](#))

Table 1 Scalar LTFS Appliance Power Supply Kit

Illustration	Description	Qty
	Replacement power supply (570 watt)	1

Required Tools: None

Removing a Failed Power Supply

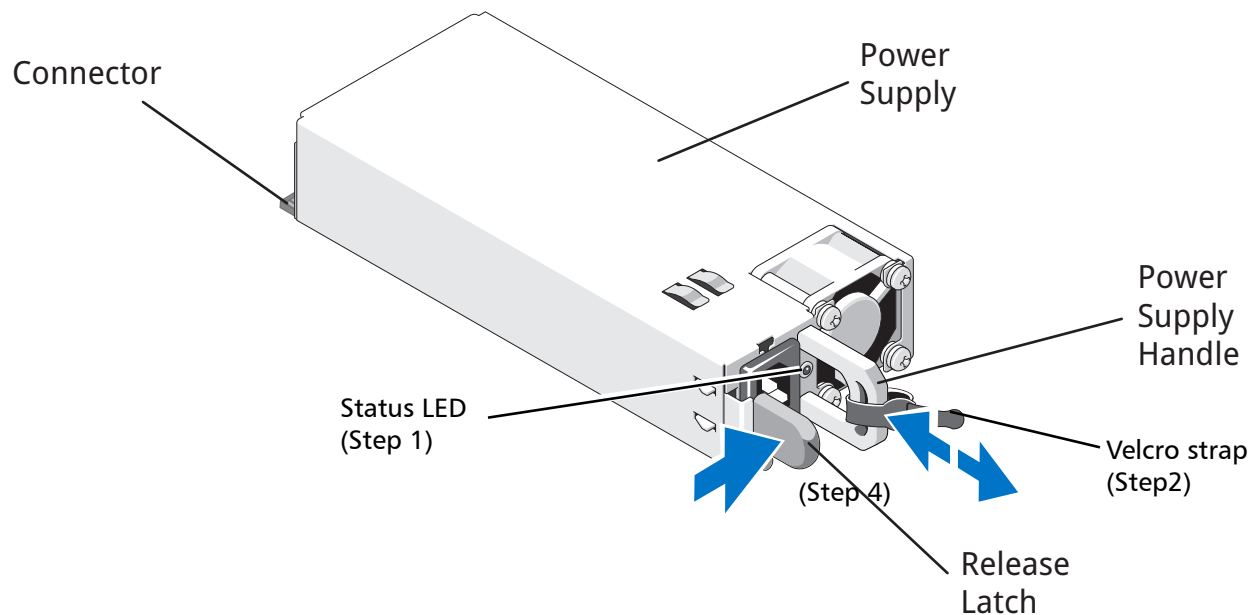
To remove the failed power supply, complete the following steps:

- 1 Look at the LED indicators on the power supply: when an amber LED is displayed or the LED is OFF, that power supply has failed (see [Figure 1](#)).
- 2 When disconnecting the power cable, remove the cable from the strap.
- 3 Remove the power supply cable from the failed power supply.
- 4 Press the release latch and use the power supply handle to help remove the power supply from the Scalar LTFS Appliance.

Caution: The power supply may be hot. Use caution when removing the failed power supply.

Figure 1 Remove the Scalar LTFS Appliance Power Supply

I



Replacing a Failed Power Supply

To replace the power supply, complete the following steps:

- 1 In the empty bay of the Scalar LTFS Appliance, insert the replacement power supply until the release latch snaps into place.
- 2 Reattach the power cable to the power supply.

- 3 To ensure that the power supply is working properly, check the power supply's LED indicators.

A green light indicates that a valid AC source is connected to the power supply, and that the power supply is operational. When Scalar LTFS Appliance is on, a green light also indicates that the power supply is providing DC power to the appliance.

- 4 When connecting the power cable, secure the cable with the strap.